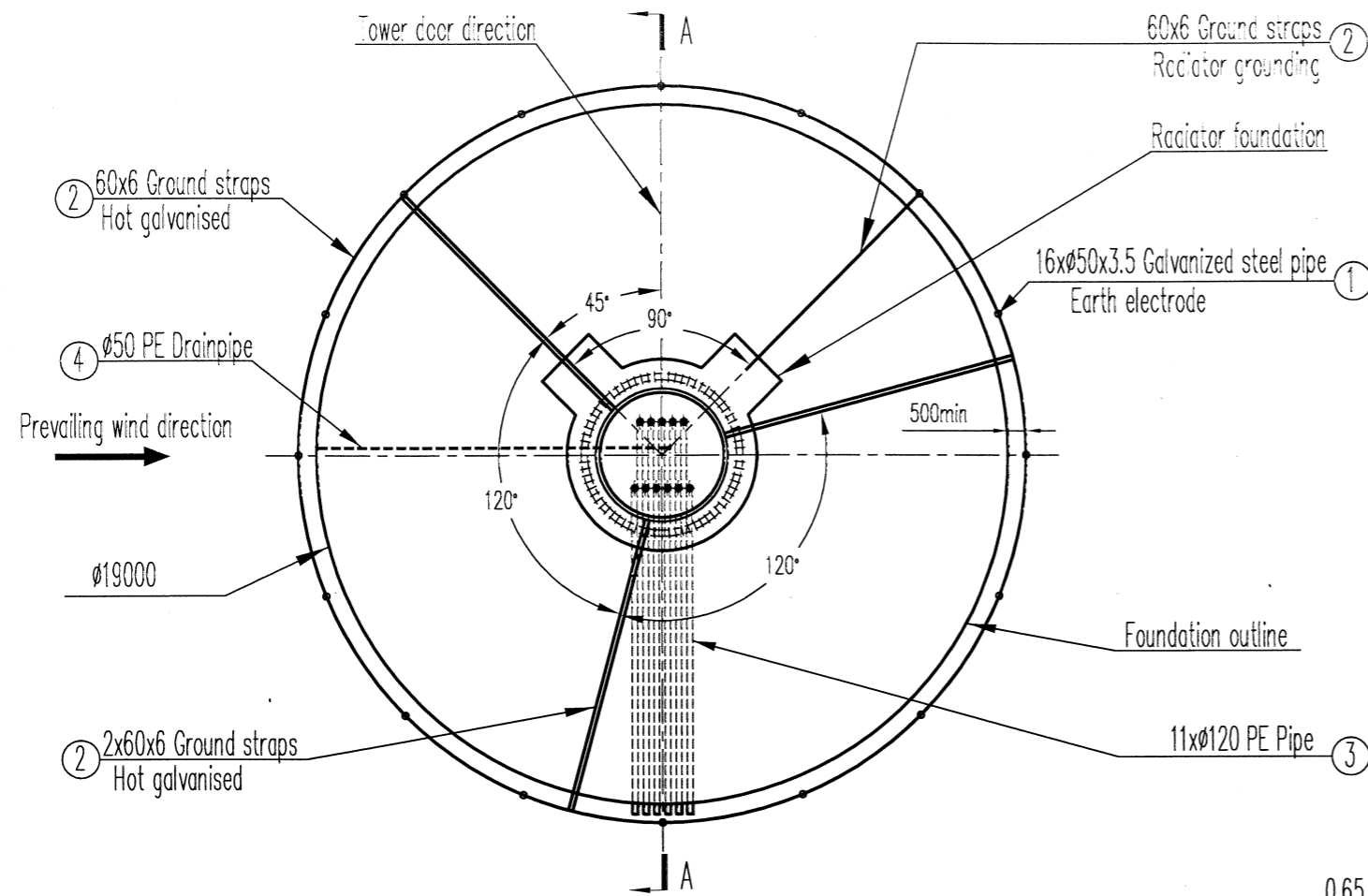


GW2500.70-2.030

绝密



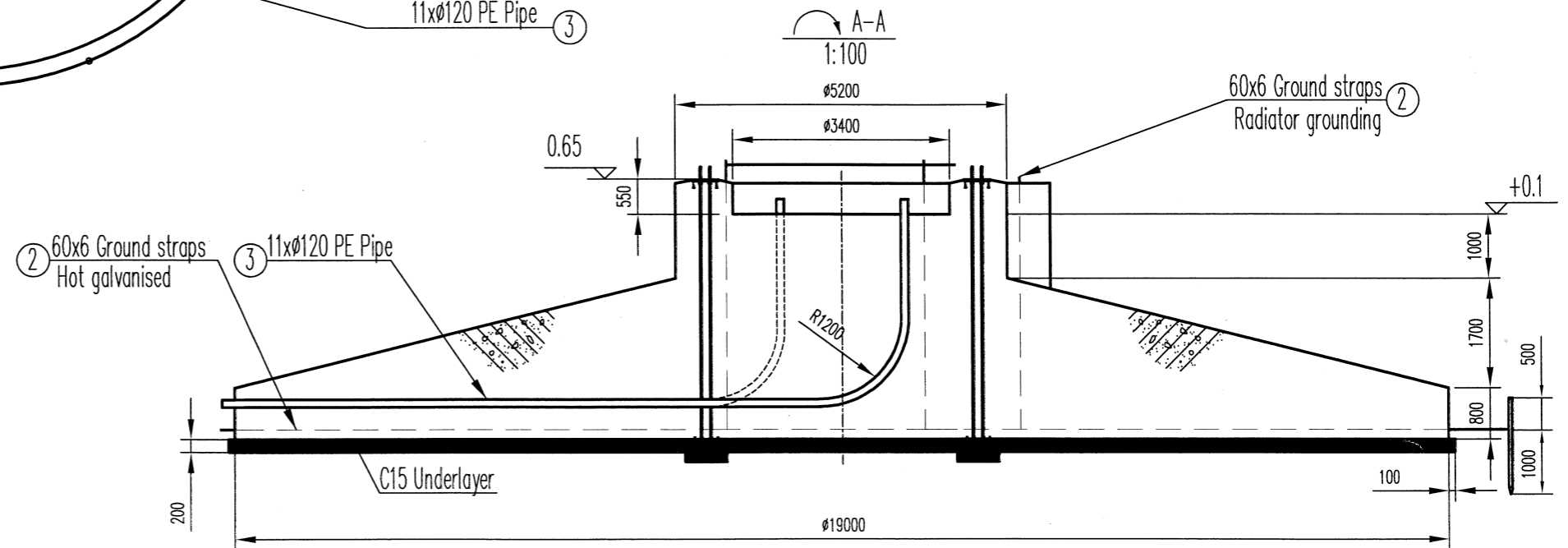
GROUNDING & CONDUIT TABLE

NO.	ITEM	SHAPE	SIZE	COUNT	SINGLE LENGTH	TOTAL LENGTH
1	Earthed pole		ø50x3.5	16	1.5m	24m
2	Ground straps		60x6	-	-	153.6m
3	Conduit for main cable		ø120	11	14m	154m
4	Conduit for optiline		ø50	1	14m	14m

Note: 3 and 4 are Polythene(PE) pipe

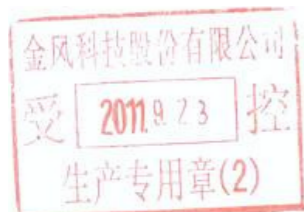
APPROXIMATE MATERIAL QUANTITIES

NO.	ITEM	UNIT	COUNT	REMARKS
1	Excavating	m ³	1070(Theoretical value)	The quantity should be according to actual value
2	Underlayer conc	m ³	56.4	
3	Principal conc	m ³	470.3	
4	Reinforcing	t	36	
5	Anchor bolt M48	-	72x2	4350mm long for each



NOTES

1. The drawing only used in bidding for wind farm project;
2. Design shall apply to turbine locations where subsoil bearing capacity is required over 300KPa;
3. Steel bar types: HRB335, HRB400;
4. The unit of elevation is m, others is mm.



Register

Counter draw

Checker

Former outline drawing number

Signature

Date

Change	Amount	Article No	Signature	Date
Drawn		李科庚	Standardized	翟飞
Checked		翟飞	Apporved	翟飞
Verified		李科庚	Date	2011.9.22
Process		李科庚		

GW100/2500-80m WTG
Anchor Foundation

GW2500.70-2.030

Phase Mark	Weight	Scale
		1:100

Sheet in total of

